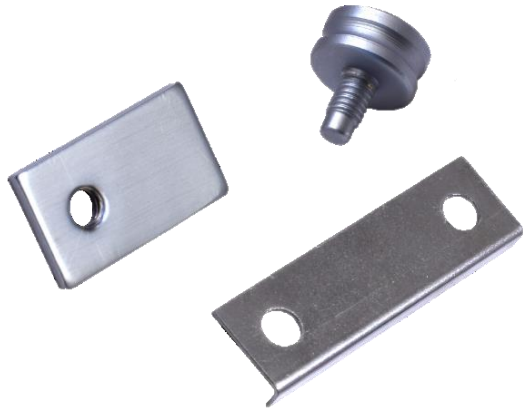
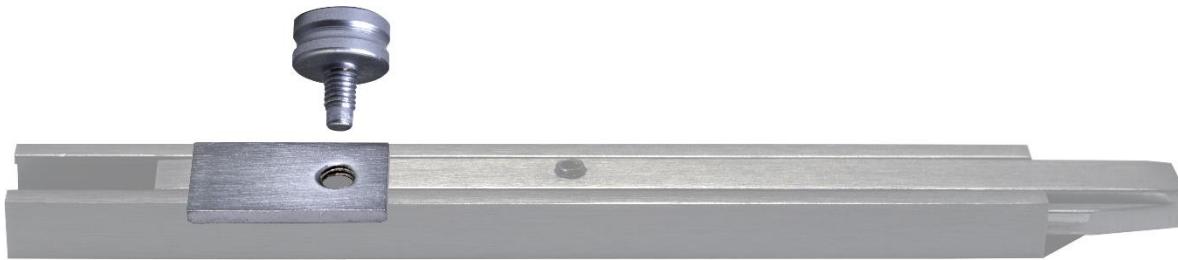


B85CKN – Pull to knob conversion kit

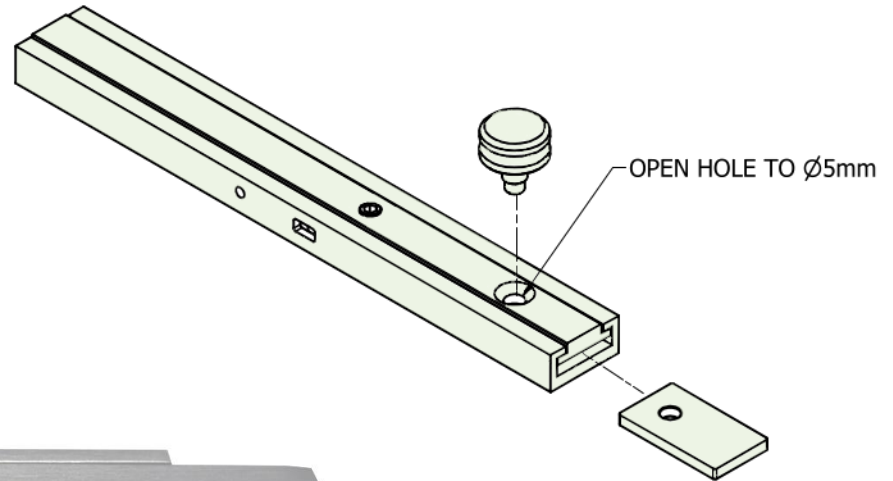


B85CKN



PRODUCT FEATURES & TECHNICAL INFORMATION

- For use on windows and doors to convert concealed bolts from using a pull to a knob
- Useable on all sizes (150, 300 & 450mm) of B85C and B85CG bolts and extensions; B85C450EXT & B85CG450EXT
- Kit contains 3 parts: the knob, conversion plate and rub wedge
- Once the bolt has been converted it can be used with any of the 3 wedge accessories and optional floor plate
- For further information see Bolt datasheets and B85CKN conversion instruction
- Complimentary window handles, peg stays, door handles and escutcheons
- Available in several finishes or matching RAL finishes on request



Dimensions